

Preferred fields of application:

The single acting telescope cylinders are mainly used as tilting cylinders for agricultural trailers. It is necessary to use a stroke limiting valve to prevent the cylinder from reaching the enposition under pressure. Maximum tilting angle is 30°

Principle of konstruktion:

The specified types of hydraulic telescope cylinders are based on the construction principle of plunger cylinders. Tilting bolts with a gimblar are fixed on the ground tube. A bore for mounting is forseen on the end of the smallest rod. The stroke of the rod is limited by retaining rings. The next wiping, sealing and guiding system guarantees less friction and an outstanding service life.

Maximum operating speed:

Up to 0,1 m/s

Sealing elements:

Polyurethan

Temperature range:

min. -10 ° Celsius
max + 80 ° Celsius.

Hydraulic pressure medium:

Standard mineral oils, biological oils (only after realisation by WEBER-HYDRAULIK)

Nominal pressure:

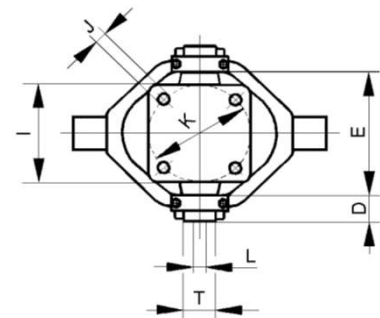
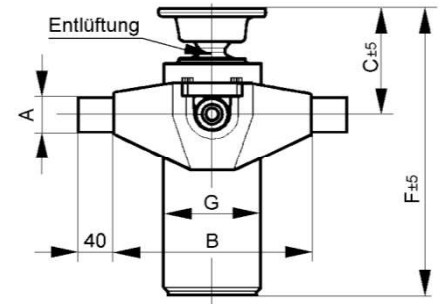
Working pressure 200 bar.
Test pressure 220 bar.

Permissible pressure force:

Permissible pressure force equals the maximum load of gimbal and must not be exceeded (Page 5)

Rod specification:

the single rod-stages are chrome-plated


Advantages:

Certificate according to ISO 9001, surface primer coated, rod-stages chrome plated, Entlüftungsschraube ab Kolbendurchmesser 75 mm aufwärts.

| Type: TZE 4P ... | stroke in mm ± 25 mm | Lifting power | | | | | | | | Dimensions | | | | | | | | | | | | | | | |
|------------------|----------------------|---------------|-------|-------|-------|--------|--------|--------|--------|------------|------------|----------------|---------------------|------------|------------|------------|----------------|------------|--------|------------|--------------|--------------|------|------------|-----------|
| | | Extensions | | | | | | | | Gimbal | | | | Cylinder | | | | | | | | | | | |
| | | 1,6 t | 3,2 t | 5,7 t | 8,8 t | 12,7 t | 17,3 t | 22,6 t | 30,8 t | 40,2 t | Gimbal Nr. | max. load in t | A max. load in t | B in mm | C in mm | D in mm | E in mm ± 2 | F in mm | G Ø | I in mm | J Ø ± 0,5 | K Ø ± 0,4 | L | T Ø - 2 | kg weight |
| 32 | 45 | 60 | 75 | 90 | 105 | 120 | 140 | 160 | 3 | 6 | 40 | 230 | 170 | 23 | 127 | 421 | 95 | 95 | 13,5 | 100 | M16x1,5 | 40 | 19,3 | 3,0 | 1810170 |
| 3210 | 1000 | | | | | | | | 3 | 6 | 40 | 230 | 170 | 23 | 127 | 506 | 95 | 95 | 13,5 | 100 | M16x1,5 | 40 | 23,0 | 4,0 | 1809458 |
| 3213 | 1350 | | | | | | | | 4 | 8 | 40 | 230 | 170 | 38 | 141 | 421 | 110 | 95 | 13,5 | 100 | M16x1,5 | 40 | 19,8 | 4,6 | 1809490 |
| 4510 | 1000 | | | | | | | | 4 | 8 | 40 | 230 | 170 | 38 | 141 | 506 | 110 | 95 | 13,5 | 100 | M16x1,5 | 40 | 34,4 | 6,1 | 1809512 |
| 4513 | 1350 | | | | | | | | 4 | 8 | 40 | 230 | 180 | 38 | 155 | 517 | 125 | 125 | 14,5 | 125 | M16x1,5 | 40 | 44,1 | 8,8 | 1809571 |
| 6013 | 1350 | | | | | | | | 4 | 8 | 40 | 230 | 180 | 38 | 155 | 517 | 125 | 125 | 14,5 | 125 | M16x1,5 | 40 | 49,0 | 10,4 | 1809598 |
| 6016 | 1600 | | | | | | | | 4 | 8 | 40 | 230 | 180 | 38 | 155 | 644 | 125 | 125 | 14,5 | 125 | M16x1,5 | 40 | 53,7 | 11,9 | 1810162 |
| 6019 | 1850 | | | | | | | | 4 | 8 | 40 | 230 | 180 | 38 | 155 | 644 | 125 | 125 | 14,5 | 125 | M16x1,5 | 40 | 48,0 | 13,1 | 1809636 |
| 7513 | 1350 | | | | | | | | 5 | 12 | 45 | 230 | 180 | 38 | 169 | 517 | 145 | 125 | 14,5 | 125 | M22x1,5 | 40 | 53,0 | 15,4 | 1809652 |
| 7516 | 1600 | | | | | | | | 5 | 12 | 45 | 230 | 180 | 38 | 169 | 581 | 145 | 125 | 14,5 | 125 | M22x1,5 | 40 | 58,3 | 17,8 | 1810146 |
| 7519 | 1850 | | | | | | | | 5 | 12 | 45 | 230 | 180 | 38 | 169 | 789 | 145 | 125 | 14,5 | 125 | M22x1,5 | 40 | 69,2 | 22,9 | 1809717 |
| 7524 | 2400 | | | | | | | | 5 | 12 | 45 | 230 | 180 | 38 | 169 | 789 | 145 | 125 | 14,5 | 125 | M22x1,5 | 40 | 72,3 | 20,9 | 1809733 |
| 9016 | 1600 | | | | | | | | 6 | 16 | 45 | 280 | 180 | 40 | 189 | 581 | 165 | 125 | 14,5 | 125 | M22x1,5 | 40 | 78,5 | 24,1 | 1809750 |
| 9019 | 1850 | | | | | | | | 6 | 16 | 45 | 280 | 180 | 40 | 189 | 644 | 165 | 125 | 14,5 | 125 | M22x1,5 | 40 | 87,1 | 27,7 | 1810154 |
| 9021 | 2150 | | | | | | | | 6 | 16 | 45 | 280 | 180 | 40 | 189 | 724 | 165 | 125 | 14,5 | 125 | M22x1,5 | 40 | 91,7 | 31,0 | 1809792 |
| 9024 | 2400 | | | | | | | | 6 | 16 | 45 | 280 | 180 | 40 | 189 | 789 | 165 | 125 | 14,5 | 125 | M22x1,5 | 40 | | | |

Grey marked types only after prior consultation referring minimum quantity and lead time