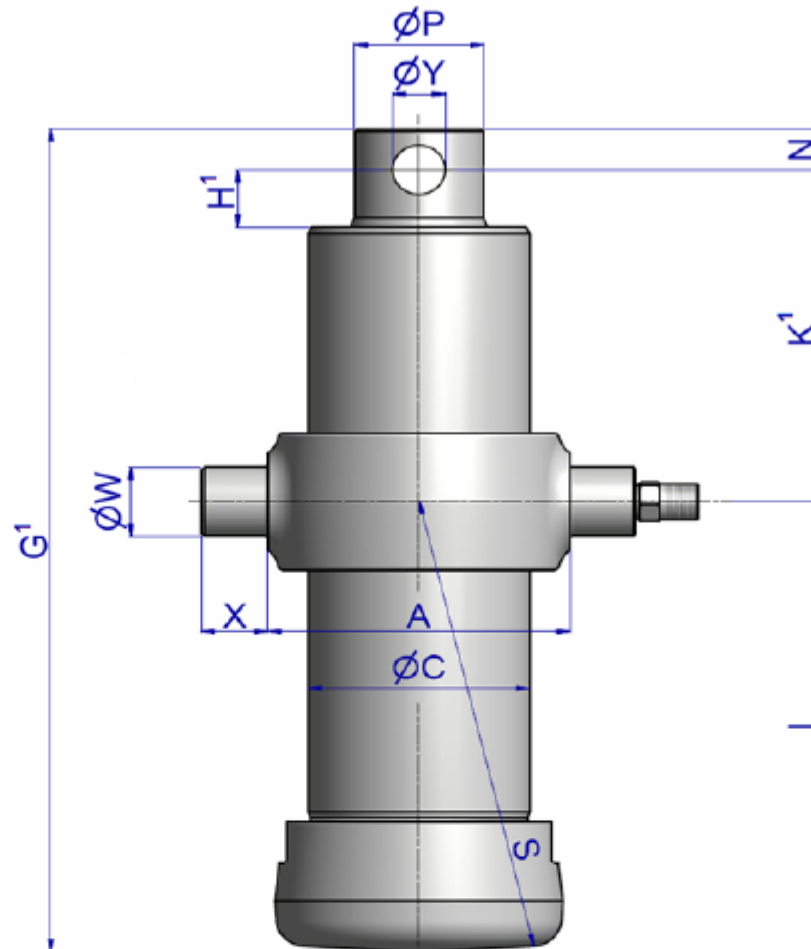


Stage diameters

149
129
110
91

front view cylinder



A	205
$\varnothing C$	170
G^1	697
I	441
K^1	221
H^1	62
N	35
$\varnothing P$	88
$\varnothing Y$	45.5
S	449
$\varnothing W$	50
X	45

¹including 20 mm pull-out [tol. -5; +30 mm]

specifications

total stroke ¹	1820 mm
dry weight cylinder only	84 kg
total volume	23.0 L
working volume	21.2 L
maximum pressure	220 bar
maximum pump flow	98 l/min
maximum allowable thrust first stage ³	25.0 ton
oil inlet	3/4" BSP