

* incl. 20 [-5; +30] mm pull out

3D model is available on request or www.hyva.com

Specifications		Max. pump flow		Tipping time	
Max. working pressure	250 bar	With KO ¹	151 L/min	With KO ¹	25 sec
Weight	193 kg	Without KO ¹	106 L/min	Without KO ¹	35 sec
Working volume	62 L	With KO ¹ below -20°C	106 L/min	With KO ¹ below -20°C	36 sec
Total volume	68 L	Without KO ¹ below -20°C	74 L/min	Without KO ¹ below -20°C	50 sec
Max. cyl. load (start tipping)	205 kN			Allowable lowering time	25 sec
Max. cyl. load (end of stroke) ²	91 kN				
Max. cyl. load (end of stroke) ³	106 kN				

Technical notes

- This cylinder is a lifting device only.
- It should not be used as a structural member and should not be subjected to side loads.
- Tipping valve must have a pressure relief at the cylinder port set not higher than max. working pressure.
- Verify max. cyl. load.
- Working temperature range is between -40°C and +80°C.
- Max. duration of extension is 0.5 hours (excluded hard chromed stages).
- Cylinder is painted black (RAL9005) with a min. thickness conforming to the 480 hours neutral salt spray test as per ISO 9227.
- ¹ Hyva knock-off.
- ² Unsubstantial unloading (sticky load).
- ³ Substantial unloading.

Related documentation

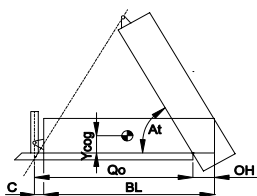
- Bracket options: 015BRA10 & 015BRA13
- Mounting instructions: CYL-0031
- Oil specifications: OIL-0011
- Spec sheet explanation: CYL-0041

Configuration

Extension	1	2	3	4	5	6	7	Total
Effective diameter [mm]	157	137	118	99	80			5405
Stroke* [mm]	1065	1085	1085	1085	1085			

Tipping weight

For detailed tipping calculations please refer to: <https://tipper.hyva.com>



- BL body length
 - OH rear overhang
 - Ycog vert. pos. centre of gravity
 - Qo pivot length
 - C bracket length
 - At tipping angle
- $stroke \times 60 / Qo$

BL [mm]	7200			6900			6600		
OH [mm]	200	500	800	200	500	800	200	500	800
At [°]	45	47	50	47	50	52	50	52	55
Ycog [mm]	600			400			300		
	35	38	43	36	40	45	38	42	48
	38	42	48	40	44	45	42	42	48
	41			43					

Tipping weight [ton] at maximum pressure of 250 bar for a vertically mounted cylinder and C is 158 mm

Pos.	Part no.	Description	Qty.
C01	71839122	DUST COVER FE 149-5/157-5	1
P01	70432299	PISTON MN3 S 080-1280-HC	1
P02	70209300K	SLIDER MN 080 (2 x 1/2) A22	1
P03	70216080K	OUTER STOPRING MN 080 A22	1
P04	70224080	BOTTOM PLATE PISTON MN 080	1
P05	01745035K	CIRCLIP 70 DIN 472 (74.5x2.5)	1
P06	70260210K	O-RING PISTON BOTTOM 080	1
P07	70235310	PISTON EYE SPH. MN3 080 L=075	1
P08	70260110K	O-RING 63.09 X 3.53 MM	1
P09	71875450K	SPHERICAL BEARING D.50.3 MAINT. FREE	1
P10	01770560K	CIRCLIP 75 DIN 472 (79.5x2.5)	1
P11	71875012	PIN ROUND HEAD GROOVED 8x15 mm	2

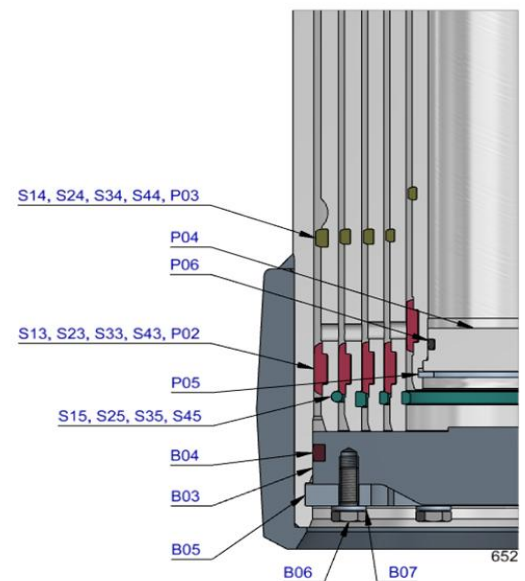
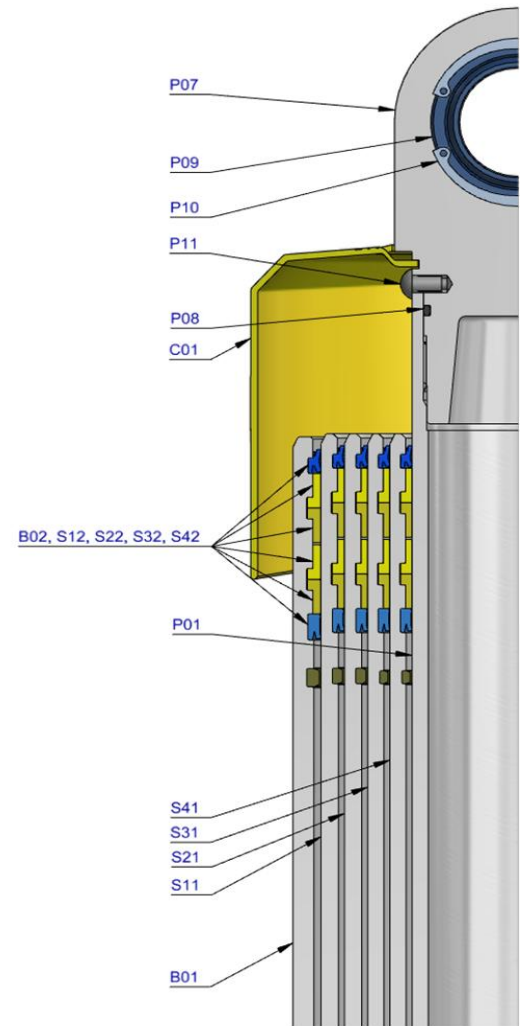
S41	70663300	STAGE MN2 099-1275	1
S42	70203099K	PACKSET MN 099	1
S43	70209310K	SLIDER MN 099 (2 x 1/2) A22	1
S44	70216099K	OUTER STOPRING MN 099 A22	1
S45	70217099K	LIFTRING MN 099 A22	1

S31	70664300	STAGE MN2 118-1275	1
S32	70203118K	PACKSET MN 118	1
S33	70209320K	SLIDER MN 118 (2 x 1/2) A22	1
S34	70216118K	OUTER STOPRING MN 118 A22	1
S35	70217118K	LIFTRING MN 118 A22	1

S21	70665300	STAGE MN2 137-1275	1
S22	70203137K	PACKSET MN 137	1
S23	70207137K	SLIDER MN 137 A35	1
S24	70216137K	OUTER STOPRING MN 137 A22	1
S25	70217137K	LIFTRING MN 137 A22	1

S11	70666300	STAGE MN2 157-1275	1
S12	70203157K	PACKSET MN 157	1
S13	70207157K	SLIDER MN 157 A35	1
S14	70216157K	OUTER STOPRING MN 157 A22	1
S15	70213157K	LIFTRING MN 157x5 MK2	1

B01	70367300	BASE MN2 179-1318-4/4BSAE-290	1
B02	70203179K	PACKSET MN 179	1
B03	70225360	BOTTOM PLATE MN2 179	1
B04	70270179K	SEAL BOTTOM PLATE MN 179	1
B05	70220185	LOCKING PLATE MN2 179	3
B06	01732055K	BOLT HEX M8X20X1.25 SET 6 PCS	1
B07	01732559K	WASHER SPRING M8 SET 6 PCS	1



Seal kit complete

71907650K	Consists of all packsets with packset grease and O-rings
-----------	--

Notes

The inner stopring and piston bottom are pre-mounted on spare bases, stage and pistons. Therefore, when ordering new tubes, it is not required to order these parts separately.

For repair instructions see: CYL-0040. Serial no. is located on type plate and near type plate support.