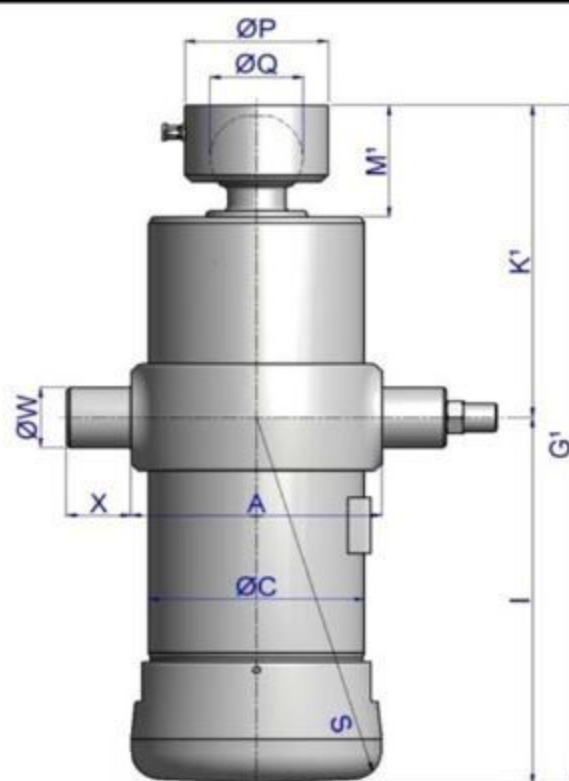


Stage
diameters

191
169
149
129
110

front view cylinder



A	245
ØC	215
G ¹	889
I	619
K ¹	270
M ¹	106
ØP	110
ØQ	75
S	628
ØW	60
X	45

¹including 20 mm pull-out [tol. -5; +30 mm]

specifications

total stroke ¹	3180 mm
dry weight cylinder only	165 kg
total volume	62.3 L
working volume	57.9 L
maximum pressure	220 bar
maximum pump flow	143 l/min
maximum allowable thrust first stage ³	32.0 ton
oil inlet	3/4" BSP