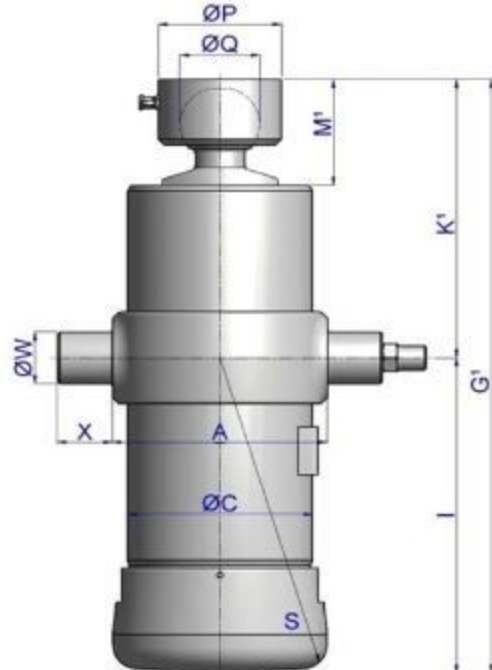


Stage
diameters

191
169
149
129
110
91
72
53

front view cylinder



A	245
$\varnothing C$	215
G^1	503
I	225
K^1	278
M^1	114
$\varnothing P$	100
$\varnothing Q$	65
S	249
$\varnothing W$	60
X	45

¹including 20 mm pull-out [tol. -5; +30 mm]

specifications

total stroke ¹	2060 mm
dry weight cylinder only	98 kg
total volume	29.0 L
working volume	26.7 L
maximum pressure	220 bar
maximum pump flow	33 l/min
maximum allowable thrust first stage ³	20.0 ton
oil inlet	3/4" BSP