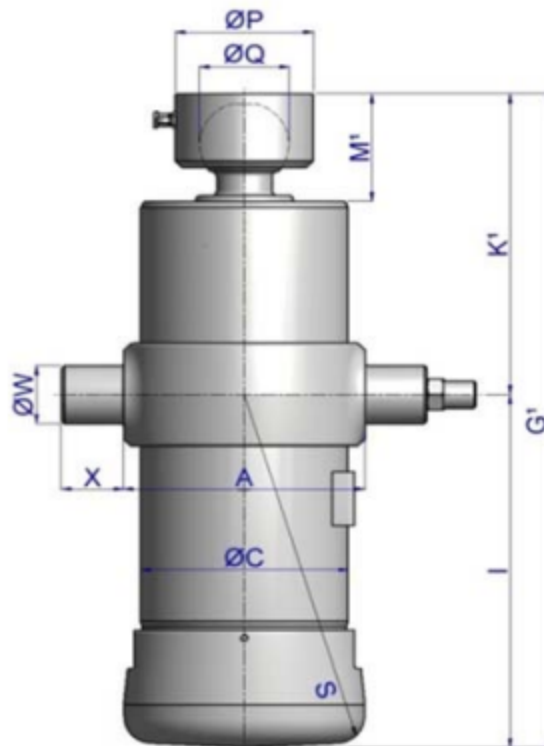


Stage diameters

169
149
129
110
91
72

front view cylinder



A	230
ØC	192
G ¹	605
I	347
K ¹	258
M ¹	99
ØP	100
ØQ	65
S	360
ØW	50
X	45

¹including 20 mm pull-out [tol. -5; +30 mm]

²cylinder is delivered including oil inlet swivel adapter and cup

specifications

total stroke ¹	2260 mm
dry weight cylinder only	98 kg
total volume	29.9 L
working volume	27.5 L
maximum pressure	220 bar
maximum pump flow	61 l/min
maximum allowable thrust first stage ³	20.0 ton
oil inlet	3/4" BSP