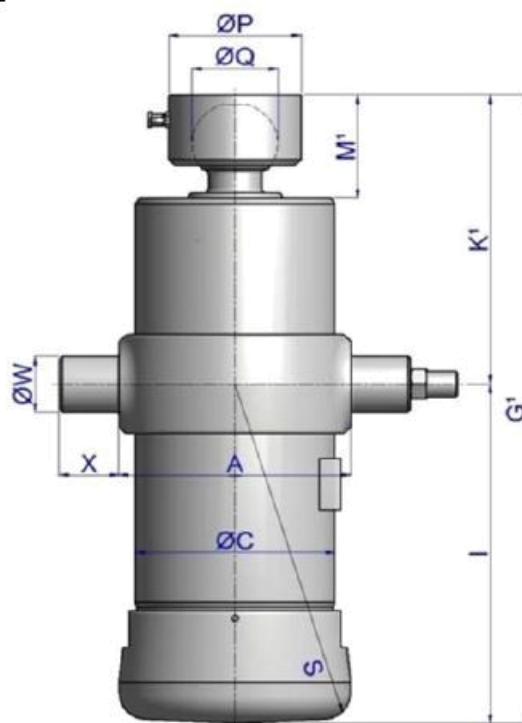


Stage  
diameters

169  
149  
129  
110  
91  
72

front view cylinder



A	230
$\varnothing C$	192
$G^1$	525
I	267
$K^1$	258
$M^1$	99
$\varnothing P$	100
$\varnothing Q$	65
S	284
$\varnothing W$	50
X	45

## specifications

total stroke <sup>1</sup>	1780 mm
dry weight cylinder only	86 kg
total volume	23.5 L
working volume	21.7 L
maximum pressure	220 bar
maximum pump flow	61 l/min
maximum allowable thrust first stage <sup>3</sup>	20.0 ton
oil inlet	3/4" BSP