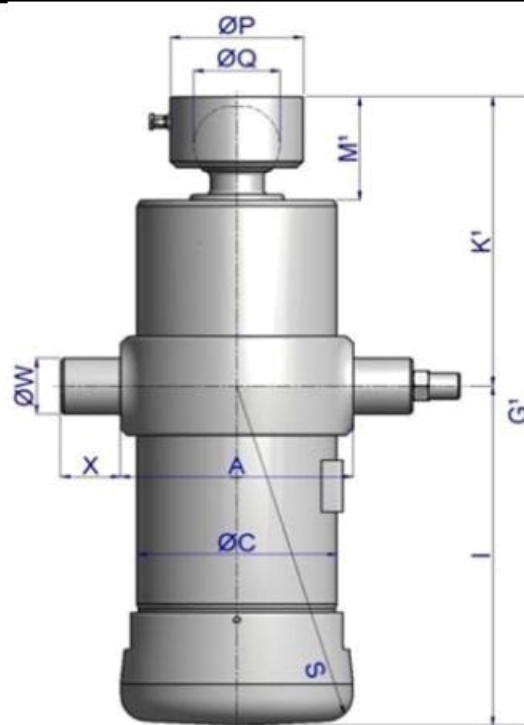


Stage
diameters

169
149
129
110
91

front view cylinder



A	230
$\varnothing C$	192
G'	532
I	267
K'	265
M'	106
$\varnothing P$	110
$\varnothing Q$	75
S	284
$\varnothing W$	50
X	45

specifications

total stroke ¹	1480 mm
dry weight cylinder only	84 kg
total volume	22.1 L
working volume	20.4 L
maximum pressure	220 bar
maximum pump flow	98 l/min
maximum allowable thrust first stage ³	25.0 ton
oil inlet	3/4" BSP