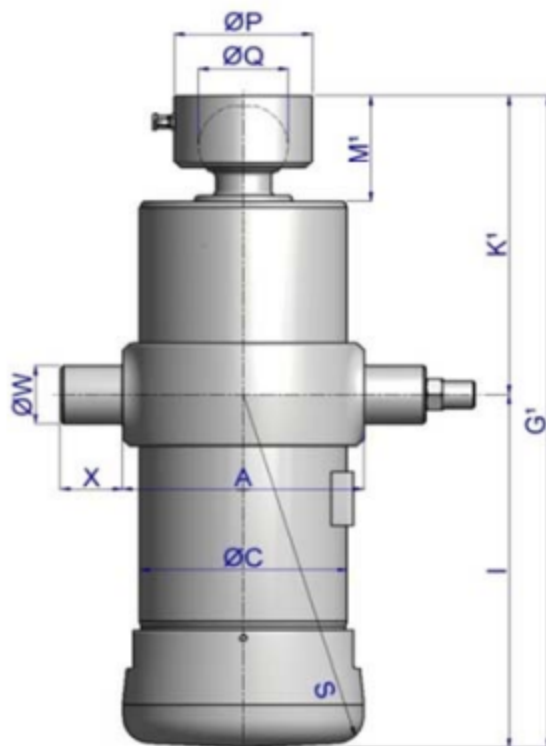


Stage
diameters

149
129
110
91

front view cylinder



A	205
$\varnothing C$	170
G^1	796
I	531
K^1	265
M^1	106
$\varnothing P$	110
$\varnothing Q$	75
S	538
$\varnothing W$	50
X	45

¹including 20 mm pull-out [tol. -5; +30 mm]

specifications

total stroke ¹	2180 mm
dry weight cylinder only	96 kg
total volume	27.5 L
working volume	25.3 L
maximum pressure	220 bar
maximum pump flow	98 l/min
maximum allowable thrust first stage ³	25.0 ton
oil inlet	3/4" BSP