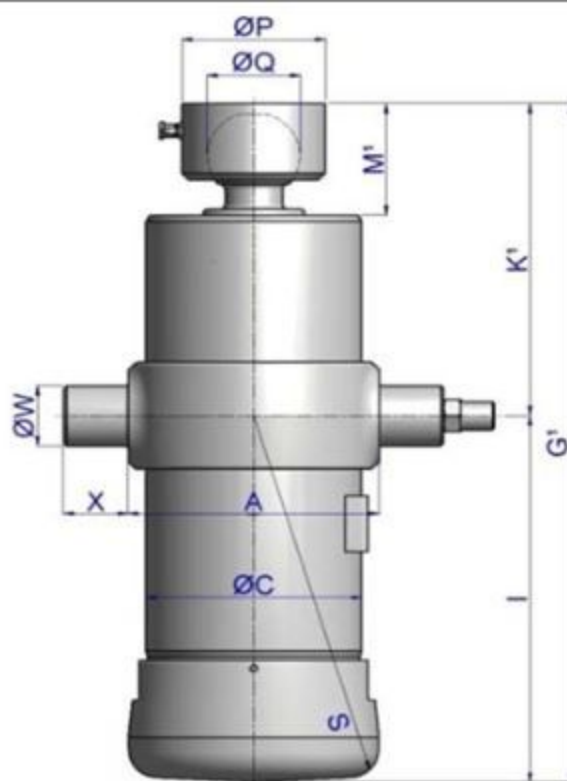


Stage diameters
149
129
110
91
72

front view cylinder



A	205
$\varnothing C$	170
G^1	605
I	347
K^1	258
M^1	99
$\varnothing P$	100
$\varnothing Q$	65
S	357
$\varnothing W$	50
X	45

¹including 20 mm pull-out [tol. -5; +30 mm]

specifications

total stroke ¹	1880 mm
dry weight cylinder only	78 kg
total volume	20.7 L
working volume	19.0 L
maximum pressure	220 bar
maximum pump flow	61 l/min
maximum allowable thrust first stage ³	20.0 ton
oil inlet	3/4" BSP