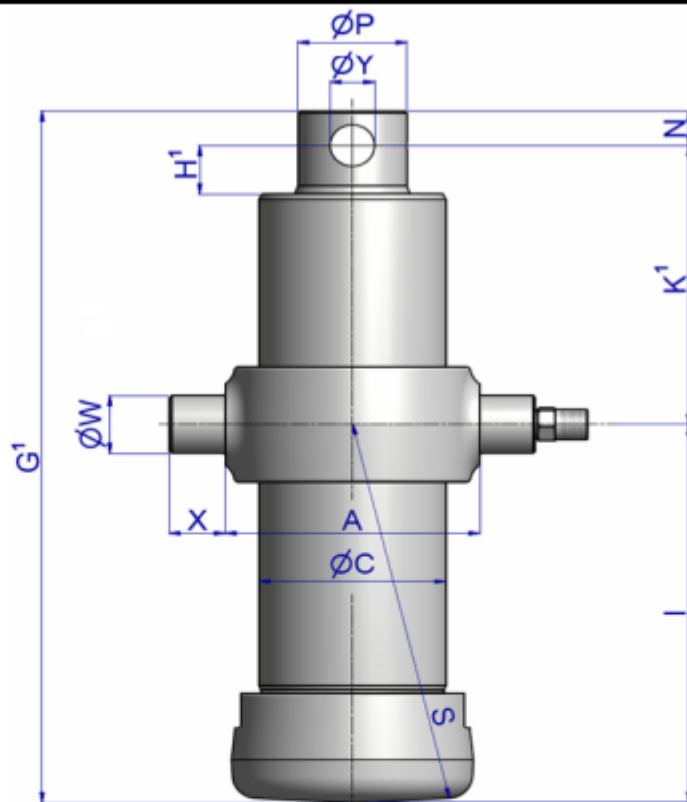


Stage diameters

169  
149  
129  
110  
91  
72

front view cylinder



A	230
ØC	192
G <sup>1</sup>	732
I	481
K <sup>1</sup>	221
H <sup>1</sup>	62
N	30
ØP	69
ØY	35.5
S	490
ØW	50
X	45

<sup>1</sup>including 20 mm pull-out [tol. -5; +30 mm]

## specifications

total stroke <sup>1</sup>	2980 mm
dry weight cylinder only	117 kg
total volume	39.4 L
working volume	36.3 L
maximum pressure	220 bar
maximum pump flow	61 l/min
maximum allowable thrust first stage <sup>3</sup>	23.0 ton
oil inlet	3/4" BSP