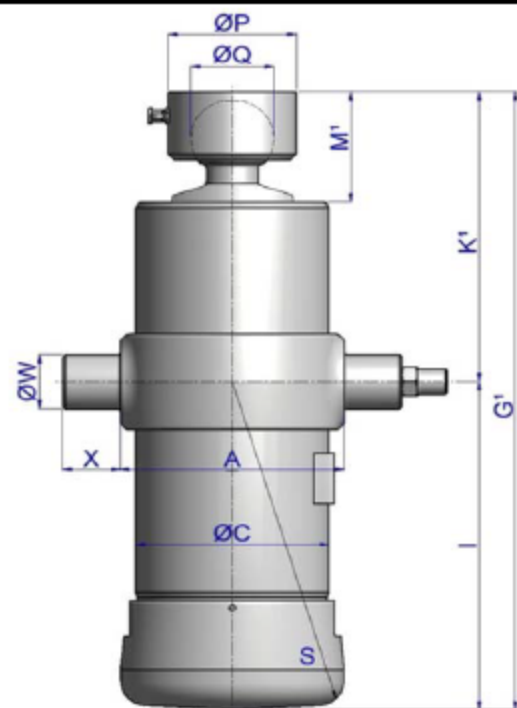


Stage  
diameters

191  
169  
149  
129  
110  
91  
72

front view cylinder



A	245
ØC	215
G <sup>1</sup>	543
I	265
K <sup>1</sup>	278
M <sup>1</sup>	114
ØP	100
ØQ	65
S	286
ØW	60
X	45

<sup>1</sup>including 20 mm pull-out [tol. -5; +30 mm]

## specifications

total stroke <sup>1</sup>	2080 mm
dry weight cylinder only	110 kg
total volume	32.6 L
working volume	30.2 L
maximum pressure	220 bar
maximum pump flow	61 l/min
maximum allowable thrust first stage <sup>3</sup>	25.0 ton
oil inlet	3/4" BSP