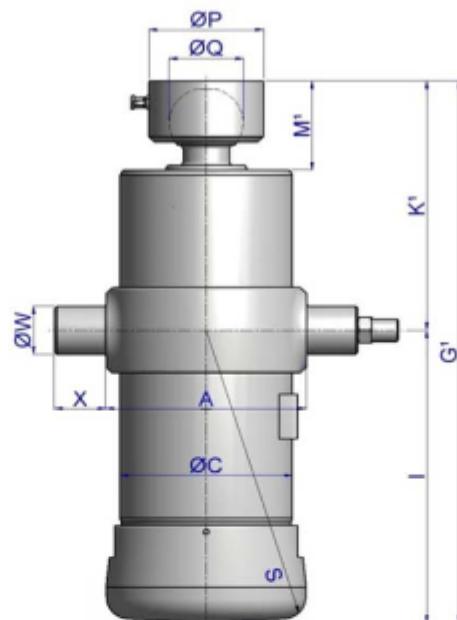


Stage
diameters

191
169
149
129
110
91
72

front view cylinder



A 245
 ØC 215
 G^1 468
 I 205
 K^1 263
 M^1 99
 ØP 100
 ØQ 65
 S 231
 ØW 60
 X 45

¹including 20 mm pull-out [tol. -5; +30 mm]

specifications

total stroke ¹	1660 mm
dry weight cylinder only	97 kg
total volume	26.0 L
working volume	24.1 L
maximum pressure	220 bar
maximum pump flow	61 l/min
maximum allowable thrust first stage ³	25,0 ton
oil inlet	3/4" BSP