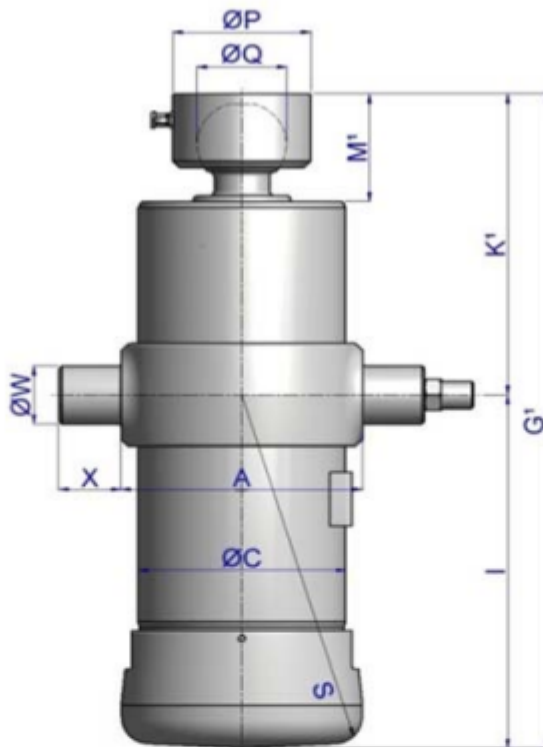


Stage diameters  
**149**  
**129**  
**110**  
**91**  
**72**  
**53**

front view cylinder



A	205
ØC	170
G <sup>1</sup>	472
I	227
K <sup>1</sup>	245
M <sup>1</sup>	86
ØP	88
ØQ	53
S	242
ØW	50
X	45

<sup>1</sup>including 20 mm pull-out [tol. -5; +30 mm]

## specifications

total stroke <sup>1</sup>	1540 mm
dry weight cylinder only	68 kg
total volume	14.8 L
working volume	13.5 L
maximum pressure	220 bar
maximum pump flow	33 l/min
maximum allowable thrust first stage <sup>3</sup>	15.0 ton
oil inlet	3/4" BSP