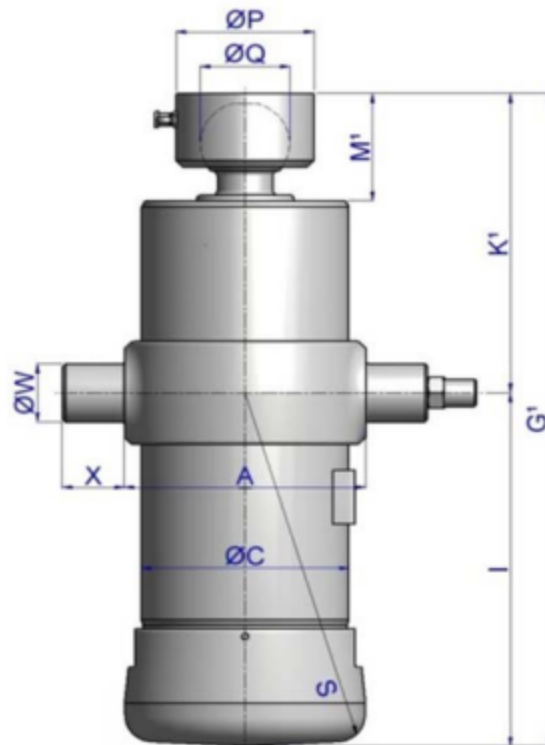


Stage  
diameters

**149**  
**129**  
**110**  
**91**

front view cylinder



A	205
$\varnothing C$	170
$G^1$	706
I	441
$K^1$	265
$M^1$	106
$\varnothing P$	110
$\varnothing Q$	75
S	449
$\varnothing W$	50
X	45

<sup>1</sup>including 20 mm pull-out [tol. -5; +30 mm]

## specifications

total stroke <sup>1</sup>	1820 mm
dry weight cylinder only	86 kg
total volume	23.0 L
working volume	21.2 L
maximum pressure	220 bar
maximum pump flow	98 l/min
maximum allowable thrust first stage <sup>3</sup>	25.0 ton
oil inlet	3/4" BSP