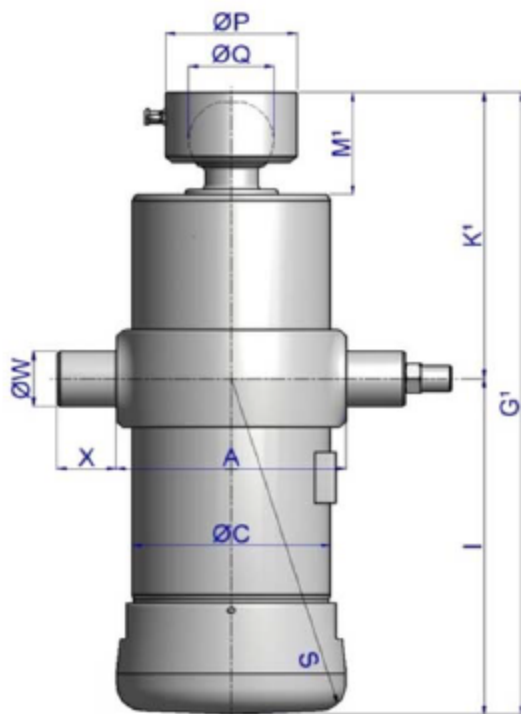


Stage  
diameters

129  
110  
91  
72

front view cylinder



A	175
ØC	150
G¹	695
I	490
K¹	205
M¹	99
ØP	100
ØQ	65
S	496
ØW	45
X	45

<sup>1</sup>including 20 mm pull-out [tol. -5; +30 mm]

## specifications

total stroke <sup>1</sup>	1820 mm
dry weight cylinder only	68 kg
total volume	16.6 L
working volume	15.1 L
maximum pressure	220 bar
maximum pump flow	61 l/min
maximum allowable thrust first stage <sup>3</sup>	17.5 ton
oil inlet	1/2" BSP